

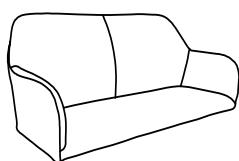
LumiSource® Daniella Bench

Assembly Instructions
Instrucciones De Asamblea
Instructions d'Assemblée

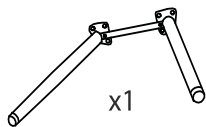
Part # BC-DANIELLAHB XX+XX

26-0406

PARTS

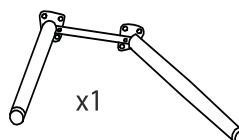


A



x1

B



x1

C



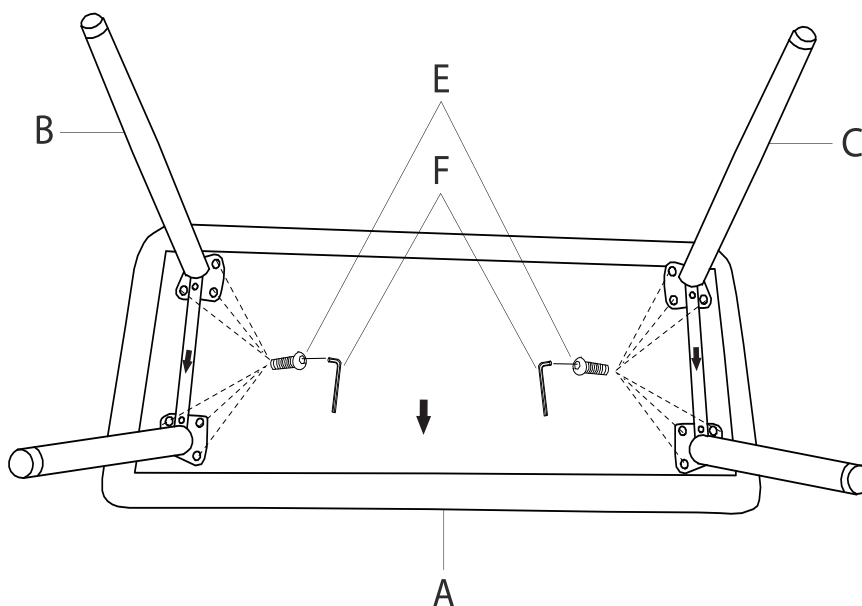
x12
(M6x20mm)

E

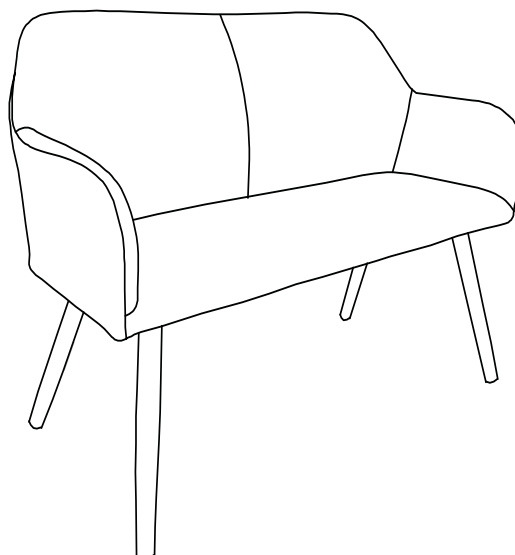


F

1



2



⚠ WARNING: SEATING: CHAIR, COUNTER/BAR, OFFICE

- Read all instructions carefully and completely before assembly and use. Retain for future reference.
- Keep plastic bags and small parts away from children.
- For residential (non-commercial) use only.
- DO NOT stand on product. Use only for intended table purpose.
- Max weight limit 250 lbs.
- Periodically check for loose hardware; retighten as necessary.
- DO NOT use product if any component becomes damaged.
- DO NOT use power tools to assemble OR overtighten hardware.